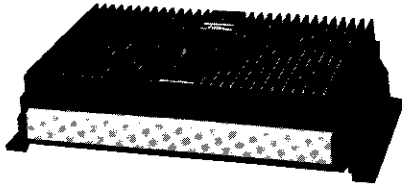


STEREO MAIN AMPLIFIER **KAC-801**

INSTRUCTION MANUAL



■ CONTENTS

| | |
|----------------------|---|
| FEATURES | 2 |
| PRECAUTIONS | 2 |
| INSTALLATION | 3 |
| CONNECTION | 5 |
| MAINTENANCE | 6 |
| SPECIFICATIONS | 7 |

FEATURES

Take the time to read through this instruction manual. Familiarity with installation and operation procedures will help you obtain the best performance from your new stereo main amplifier.

FOR YOUR RECORDS

Record the serial number, found on the back of the unit, in the spaces designated on the warranty card, and in the space provided below. Refer to the model and serial numbers whenever you call upon your KENWOOD dealer for information or service on this product.

Model KAC-801 Serial number _____

AFTER UNPACKING

After unpacking, we recommend that you inspect the unit for any possible shipping damage. If your unit is damaged or fails to operate, notify your dealer immediately. If your unit was shipped to you directly, notify the shipping company without delay. Only the consignee (the person or company receiving the unit) can file a claim against the carrier for shipping damage.

We recommend that you retain the original carton and packing materials to prevent any damage should you transport or ship your unit in the future.

1. The use of a DC to DC converter provides the highest power (70 W + 70 W) at the lowest distortion rating in its class.
2. Advanced design methods, usually applicable only to state-of-the-art components, yield outstanding performance in a compact automotive package.
3. Oversized heat sinks ensure stable performance with practically no long or short term drift.
4. Remote power switching, applied through system connection cables, simplify wiring and provides centralized driver-accessible control.

PRECAUTIONS

- The power requirements are as follows: DC 12V, negative ground. A special adaptor is required when this stereo main amplifier is used in a vehicle that is equipped with a 24V battery or a positive ground. In these cases please contact your KENWOOD dealer.
- Do not place the stereo main amplifier in a place where the stereo main amplifier may be exposed to direct sunlight, heat or moisture. Be careful that metal objects and water do not enter the set.
- If you have difficulty in installing the set in your car, please contact your KENWOOD dealer.

INSTALLATION

1. Choosing the location

When installing the set in a car, choose the installation position that results in easy access and driving safety. Although the installation location will differ according to the type of car, the following locations are usually used.

As the unit is remotely switched ON and OFF, there is no need to provide access to operating controls. Therefore the unit can be installed away from the driver's seat. But the unit must be installed in a stable location because it is heavy.

Preferred installation locations are under the front seat, in the trunk (boot), or in the leg space.

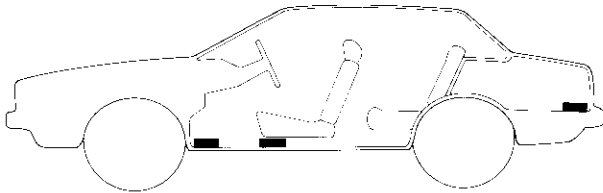


Fig. 1 Installation example

2. Attaching the unit directly to the chassis or frame

To attach the unit directly to the chassis or frame, as shown in Fig. 2, use the four screws supplied.

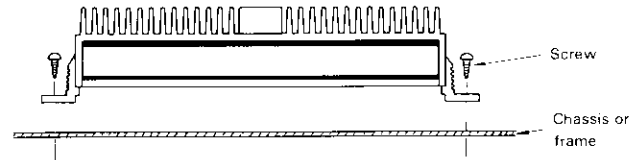


Fig. 2 Installation method (1)

INSTALLATION

3. Installing the unit on the floor mat

To install the unit on the floor mat, place the bracket under the mat and fix the unit with the supplied screws, washers and nuts as shown in Fig. 3.

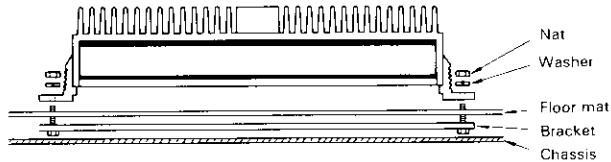


Fig. 3 Installation method (2)

4. Attaching the unit to the chassis or frame with the supplied bracket

As shown in Fig.4, attach the bracket to the chassis or frame and fix the unit to the bracket with supplied screws, washers and nuts.

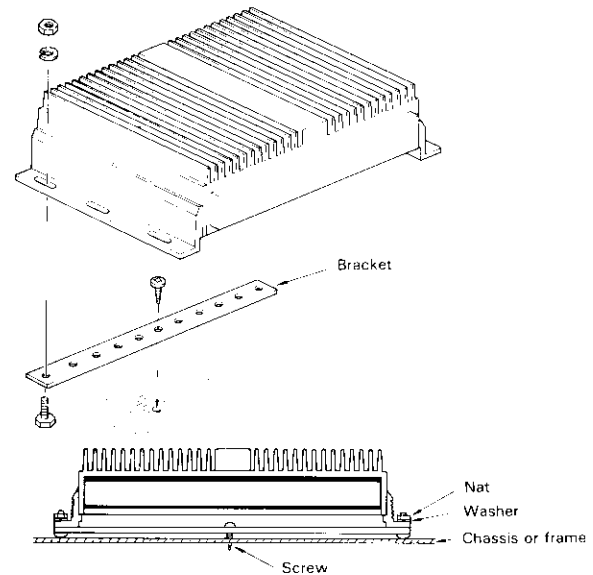


Fig. 4 Installation method

CONNECTIONS

Connection of a typical system is as shown in Fig. 5. Other system is shown in Fig. 6.

1. Power and ground wire connections

Connect the power lead (red) to the +12V line controlled by the ignition switch. Connect the ground lead (black) to a metal part of the chassis with a screw.

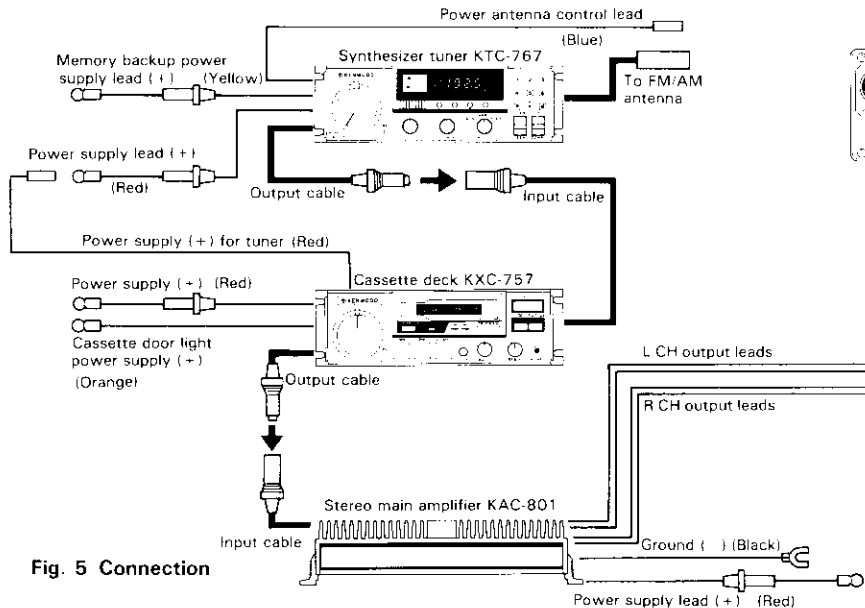
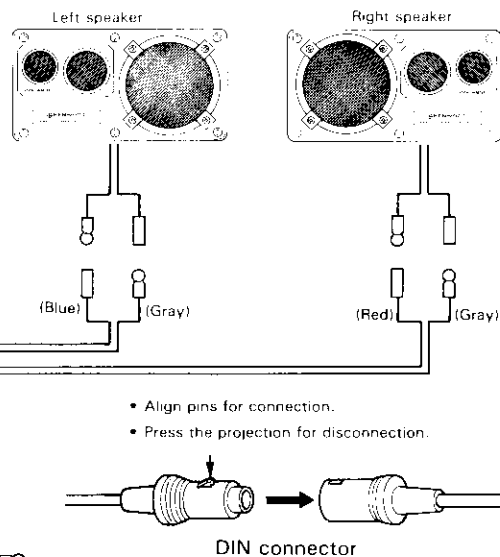


Fig. 5 Connection

2. Input cables connections

Connect the input cables of the main amplifier to the output cables of the graphic equalizer or tuner. As the DIN connector is equipped with a lock, it is difficult to pull out the DIN connector once it has been connected. Pull out the connector while depressing the release bar on the male DIN connector.



CONNECTIONS

3. Connecting the output leads

Two pairs of output leads are provided with this main amplifier to drive two speakers. Tags indicating "RIGHT" and "LEFT" are provided at the ends of the leads. The blue lead of the "LEFT" twin-lead output cord must be connected to the + terminal of the left speaker and gray lead must be connected to the - terminal.

The red and gray leads of the "RIGHT" twin-lead output cord must be connected to the + and - terminals of the right speaker respectively.

NOTE: Because the main amplifier has a BTL output stage, the gray leads must be connected to the - terminal of the correct speakers. Do not use these gray leads in common with other wire and do not ground them. Moreover, do not ground the - terminals of the speakers.

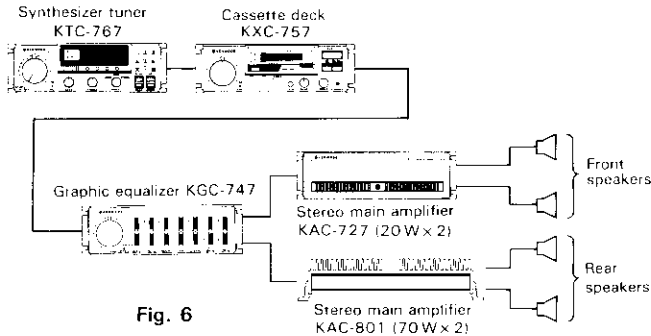


Fig. 6

MAINTENANCE

1. Replacing the fuse

If power is not switched on when the cassette deck or tuner in the system is turned on, the fuse may have blown. Replace the fuse by the procedure indicated in Fig. 7.

The rating of the fuse is indicated on the fuse holder. If the fuse blows immediately after replacement, the stereo main amplifier may be defective and you should contact your KENWOOD dealer.

Align the projections of the fuse holder with the grooves of the cover, then insert the holder into the cover and turn the holder clockwise.

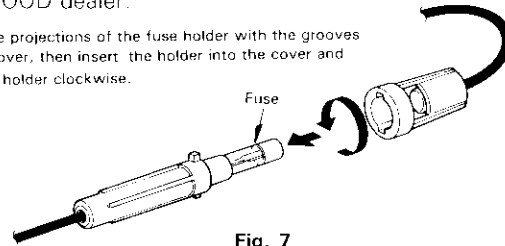


Fig. 7

2. Trouble with the main amplifier

If trouble is found in the stereo main amplifier, turn off immediately the cassette deck or tuner in the system. Contact your KENWOOD dealer before resuming operation.

3. Cleaning

The whole surface of the main amplifier functions as a heat sink. When the surface gets dusty, heat-radiation is impeded, and trouble may result due to thermal overload.

Remove the dust from the surface periodically.

